

# 6000 m Sonar Head

## Digital Telemetry



**KONGSBERG**

**P/N 974-21040000**

The 1071 Series of Sonar Heads are small, light weight and designed for deep ocean applications. These sonar heads feature lower current draw, and improved angle/range resolution over the previous 971 versions. The transducer is protected within an oil-filled, pressure compensating dome. The telemetry is RS485 and RS232 compatible and is automatically sensed and configured at start up to match the telemetry link used.

The sonar head is compatible with the MS 900D and MS 1000 surface processors and can be operated in multiple head configurations when RS485 telemetry is used.

Operating Frequency: 330 kHz  
Beam Width: 2.7° x 40° Fan (nominal)  
Range: 1 – 200 m typical  
Range Resolution: ≥ 3.0 cm  
Range Sampling: ≥ 2.0 cm (@ 1500 m/s speed of sound)  
Scan Speed: nom 8 sec/360° @ 10 m and 1.8° step size (@ 230 kbits/sec.)  
nom 34 sec/360° @ 100 m and 1.8° step size (@ 230 kbits/sec.)  
Scan Angle: 360° continuous  
Min. Mechanical Step Size: 0.45°  
Transmit Pulse Widths: 20/50/100/250/500µs (user selectable and auto)  
Receive Bandwidth: 28 kHz max.;  
variable to suit pulse length & sample rate  
Telemetry: RS485/RS232 auto switching asynchronous serial data  
Telemetry Rates: Down link: 9600 bps  
Uplink selectable: 230K, 115K, 57K, 38K, 19K, 9600 bit/s automatic (to suit telemetry cable)  
Power Requirement: 22-26 VDC @ ≤ 0.5A  
Temperature Range: -10 to +40°C operating  
-30 to +40°C storage  
Operating Depth: 6000 m, with 50% safety factor  
Connector: Seacon RMG-4-BCL; optional connectors based on customer request  
Materials: Alum 6061-T6, 300 Series S.S., Urethane  
Finish: Hard Anodize, Black/Gold MIL-A-8625 type II  
Dimensions: Length 12.20"/310 mm  
Diameter 5.50"/139 mm (max.)  
Weight: In Air 14.2 lbs/6.4 kg  
In Water 7.3 lbs/3.3 kg  
Sensor Interface \*: RS232

- For optional combined telemetry of external devices (such as bathymetric sensors) inquire to factory.
- For RS422 inquire to factory

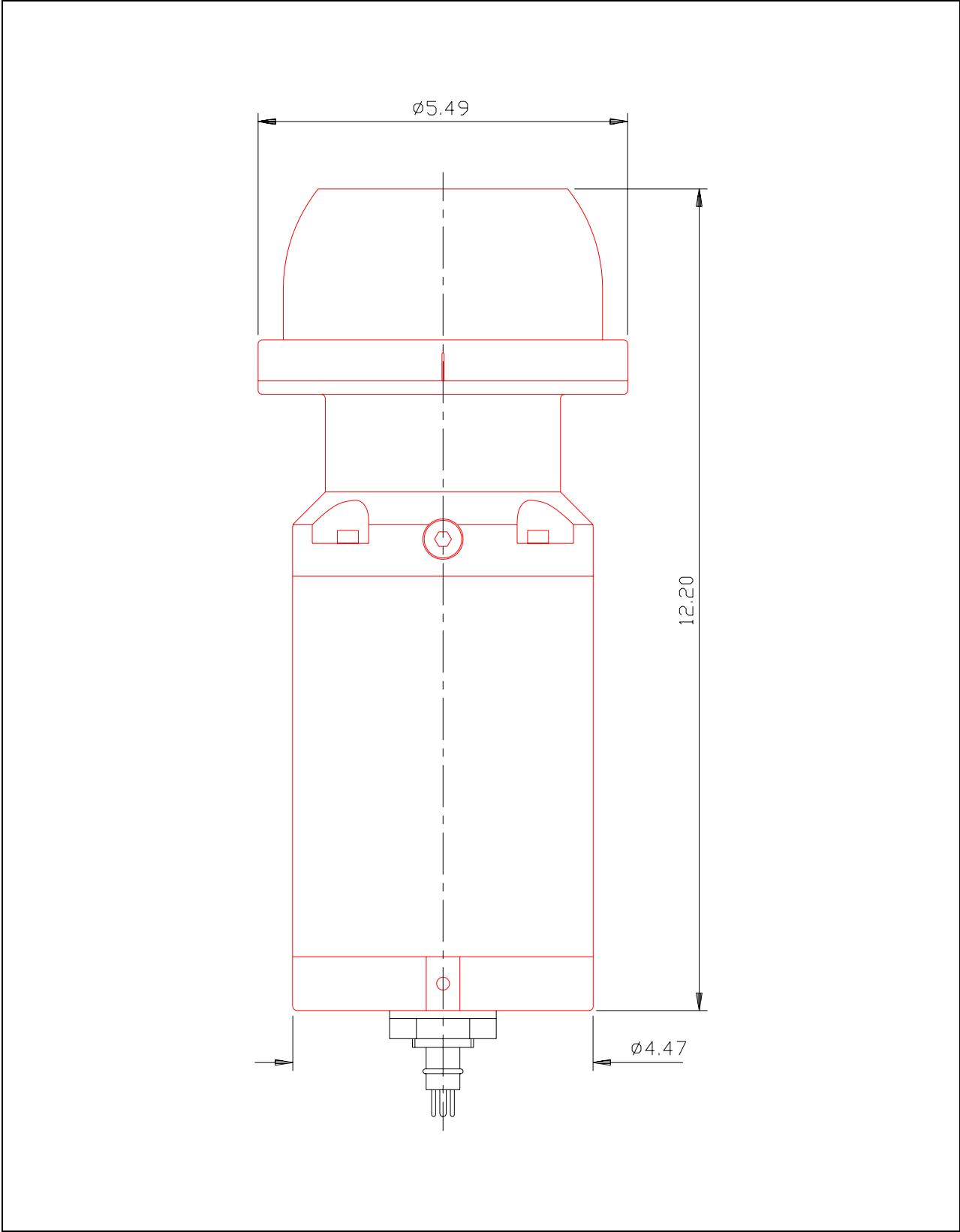
P/N 974-21040000

Specifications subject to change without notice

P/N 974-21047901 Iss 1.1

**KONGSBERG MESOTECH LTD. 1598 Kebet Way, Port Coquitlam B.C. Canada V3C 5M5**

**Tel: (604) 464 8144 Fax: (604) 941 5423**



Specifications subject to change without notice  
P/N 974-21047901 Iss 1.1  
**KONGSBERG MESOTECH LTD. 1598 Kebet Way, Port Coquitlam B.C. Canada V3C 5M5**  
Tel: (604) 464 8144 Fax: (604) 941 5423